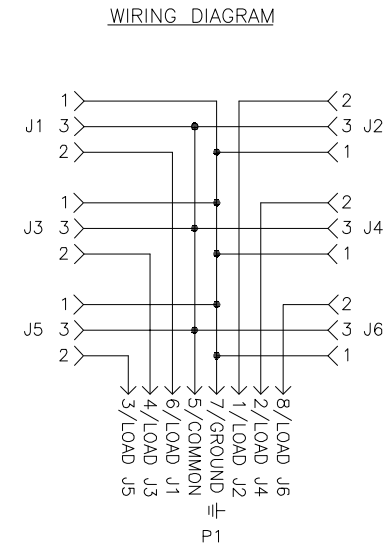
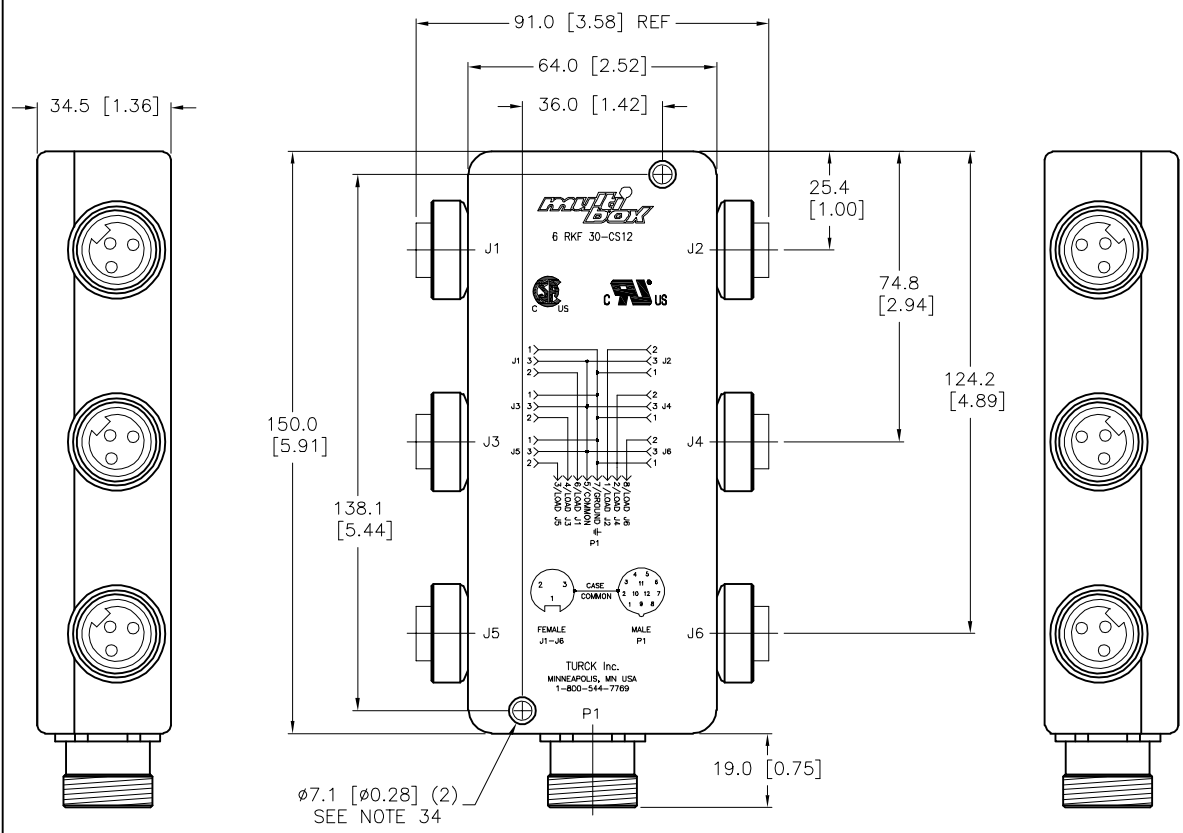


SPECIFICATIONS	
HOUSING MATERIAL	ALUMINUM ALLOY
HOUSING FINISH/COLOR	EPOXY/BLACK
CONTACT CARRIERS	TPU
CONTACT MATERIAL/PLATING	BRASS/GOLD
OPERATING VOLTAGE	250 VAC / 300 VDC
OPERATING CURRENT	4 A PER PORT, 8.0 A TOTAL
PROTECTION CLASS to DIN 40050	IP 67 - ONLY WHEN ALL RECEPTACLES ARE COVERED WITH PLUGS OR CONNECTED
OPERATING TEMPERATURE	-40°C to 90°C (-40°F to 194°F)



SOURCE DRAWING - FOR REFERENCE ONLY

1. CLEARANCE HOLE FOR M4 [#8] MOUNTING SCREWS (2 NOT INCLUDED).				
G	UPDATE HOUSING	NF	09/03/21	77010
REV	DESCRIPTION	BY	DATE	ECO NO.

RELATED DOCUMENTS 1. 2. 3. 4.	3RD ANGLE PROJECTION	THIS DRAWING IS CONFIDENTIAL AND THE PROPERTY OF TURCK INC. USE OF THIS DOCUMENT WITHOUT WRITTEN PERMISSION IS PROHIBITED.		3000 CAMPUS DRIVE MINNEAPOLIS, MN 55441 1-800-544-7769 (763) 553-7300 (763) 553-0708 fax www.turck.us	
	MATERIAL	DRFT RJP	DATE 06/21/95	DESCRIPTION 6 RKF 30-CS 12	
FINISH	ALL DIMENSIONS DISPLAYED ON THIS DRAWING ARE FOR REFERENCE ONLY	APVD	SCALE 1=2.0	IDENTIFICATION NO. U2360-1	
	CONTACT TURCK FOR MORE INFORMATION	UNIT OF MEASUREMENT MILLIMETER [INCH]		REV G	
			DO NOT SCALE THIS DRAWING	FILE: U2360-1	SHEET 1 OF 1